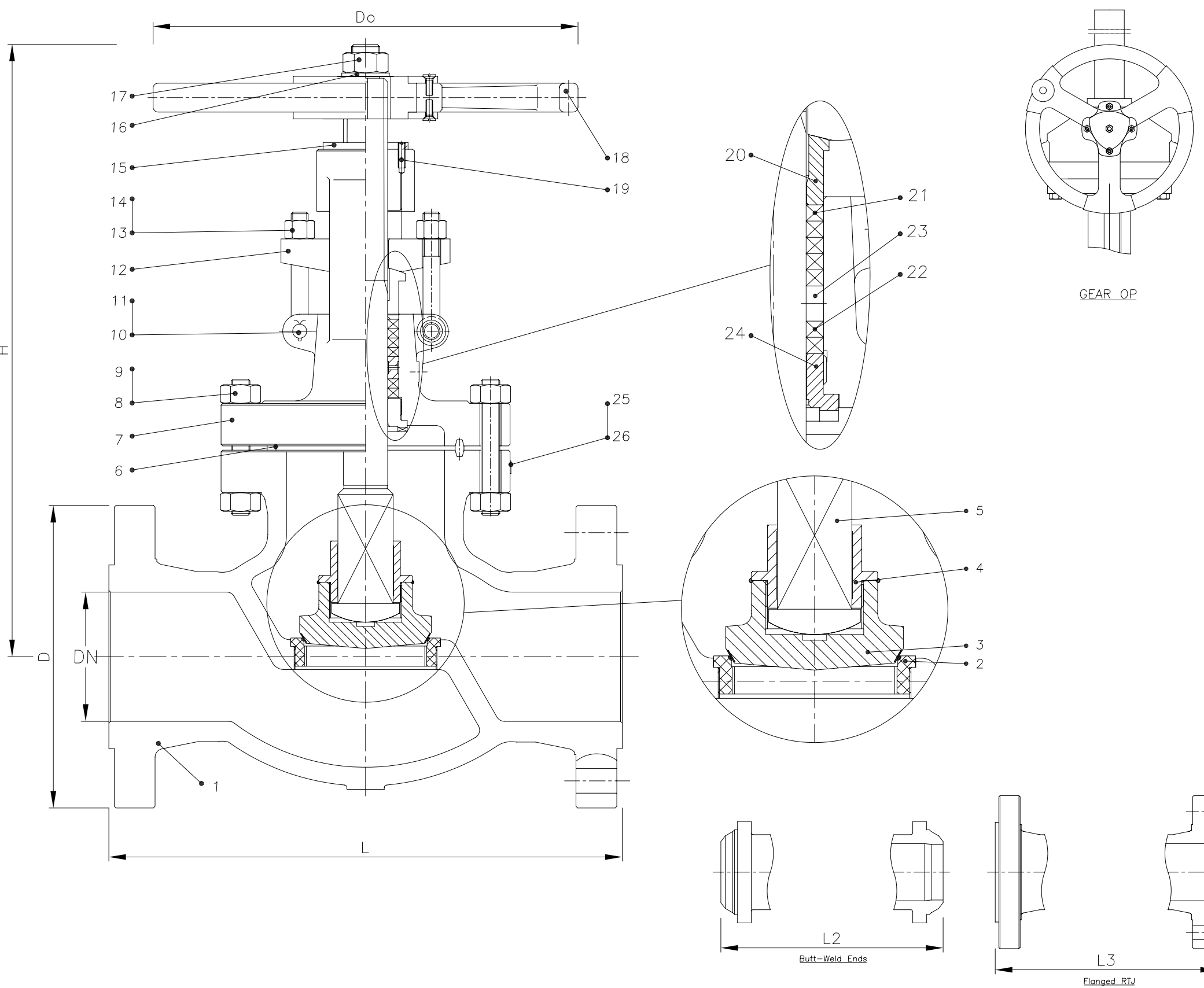


A
B
C
D
E



| BILL OF MATERIALS | | | |
|-------------------|--------------|------|----------------------|
| NO | Part Name | Qty. | Material |
| 1 | Body | 1 | A216 WCB |
| 2 | Seat Ring | 2 | A105+STL |
| 3 | Disc | 1 | A105+STL |
| 4 | Disc Cover | 1 | A276 410 |
| 5 | Stem | 1 | A182 F6a |
| 6 | Gasket | 1 | A276 410 |
| 7 | Bonnet | 1 | A216 WCB |
| 8 | Bolt | | A193 B7 |
| 9 | Nut | | A194 2H |
| 10 | Pin | 2 | ANSI 1035 |
| 11 | Split Pin | 2 | Carbon Steel |
| 12 | Gland Flange | 1 | A216 WCB |
| 13 | Eye Bolt | 2 | A193 B7 |
| 14 | Eye Nut | 2 | A194 2H |
| 15 | Stem Nut | 1 | A439 D-2 |
| 16 | Washer | 1 | Carbon Steel |
| 17 | Nut | 1 | Carbon Steel |
| 18 | Handwheel | 1 | A536 60-40-18 |
| 19 | Sorew | 1 | Carbon Steel |
| 20 | Gland Busher | 1 | A276 316 |
| 21 | Packing | 2 | Stainless Steel Wire |
| 22 | Packing | 4~5 | Flexible Graphite |
| 23 | Spacer | 1 | A276 410 |
| 24 | Back Seat | 1 | A276 410 |
| 25 | Rivet | 2 | 304SS |
| 26 | Name Plate | 1 | 304SS |

Materials available on request: Stainless steel all grades; Duplex & Super Duplex; Chrome-moly; Inconel; Monel;

| N.B | DN | L | L2 | L3 | D | Do | H(Open) | Wgt* |
|-----|-----|------|------|------|-----|-----|---------|------|
| 2" | 43 | 368 | 368 | 371 | 216 | 300 | 695 | 111 |
| 3" | 66 | 470 | 470 | 473 | 266 | 400 | 799 | 164 |
| 4" | 92 | 546 | 546 | 549 | 311 | 500 | 1015 | 306 |
| 6" | 139 | 705 | 705 | 711 | 393 | 560 | 1345 | 605 |
| 8" | 182 | 832 | 832 | 841 | 482 | 560 | 1960 | 1890 |
| 10" | 230 | 991 | 991 | 1000 | 584 | 710 | 2310 | 2880 |
| 12" | 273 | 1131 | 1131 | 1146 | 673 | 710 | 2670 | 3960 |
| 14" | 300 | 1257 | 1257 | 1276 | 749 | 760 | 3200 | 4860 |
| 16" | 344 | 1383 | 1383 | 1407 | 825 | 760 | 4064 | 6030 |

NOTE: BW Schedule to suit client order
* Wgt for RF valves only

ENGINEERING DATA

| DESIGN CODE | BS 1873/ANSI B16.34 | TEST PRESSURES | | |
|-------------------------|---------------------|----------------|--------|------|
| FACE TO FACE DIMENSIONS | ASME B16.10 | BODY | 382.95 | Barg |
| ENDS FLANGES DIMENSIONS | ASME B16.5/16.25 | SEAT | 280.83 | Barg |
| TESTING CODE | API 598 | BACKSEAT | 280.83 | Barg |
| | | AIR - SEAT | 6.0 | Barg |

| REV | DATE | DESCRIPTION | BY | CHK | APP | SCALE: | | |
|-----|------|-------------|----|-----|-----|----------|-----|---------------|
| | | | | | | DRAWN | SMN | DATE 02.12.10 |
| | | | | | | CHECKED | AW | DATE |
| | | | | | | APPROVED | AW | DATE |

DRAWING TITLE:
API CAST STEEL CLASS 1500
BOLTED BONNET, RF/RTJ/BWE, GLOBE VALVES

CLIENT:
VENDOR PO REF:
EVC REF:

CAD. No. DRAWING NUMBER: 120173 REV 00

AREA No. FACILITY TYPE SEQ. No. SHT. No.